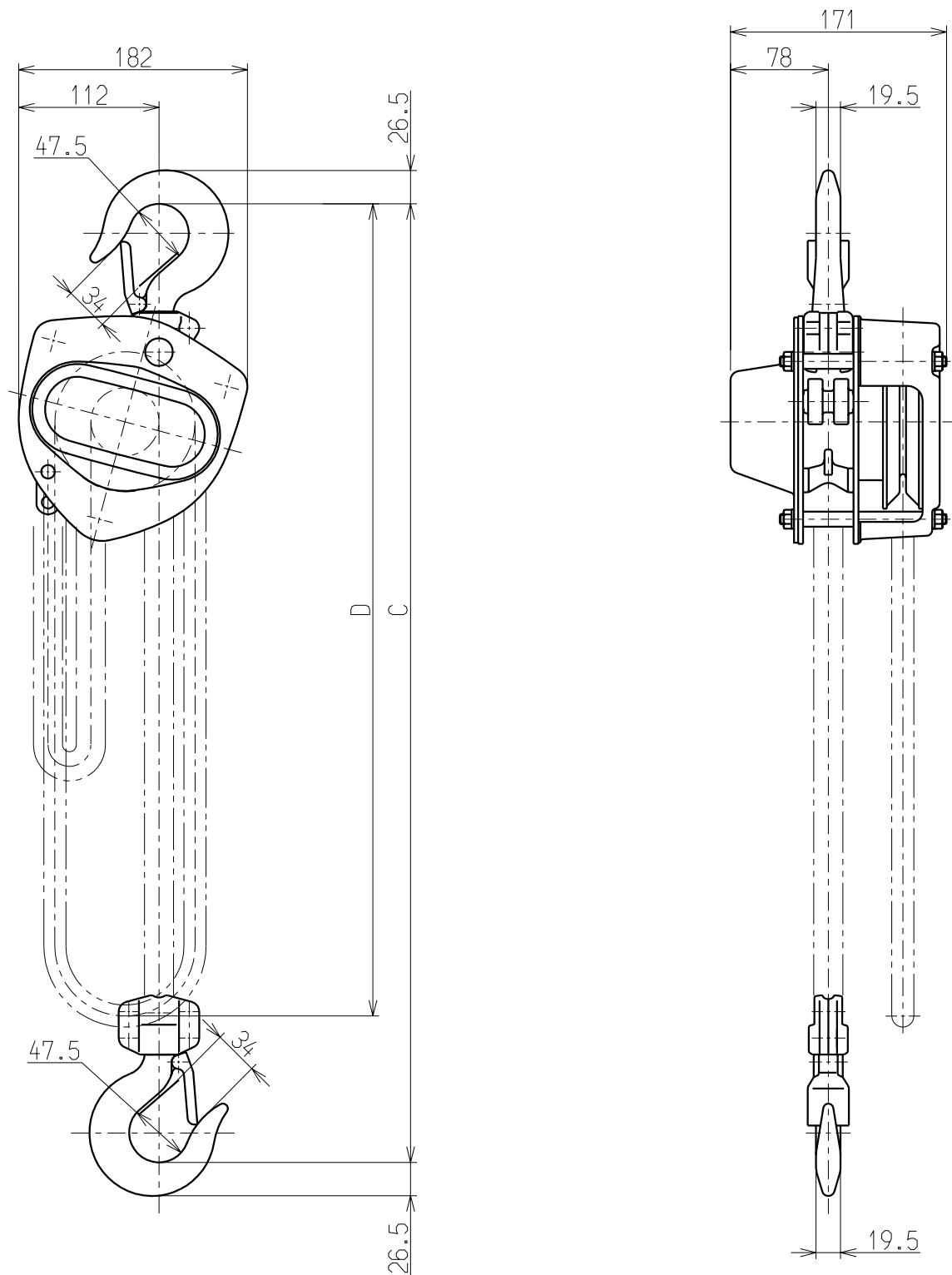


1 2 3 4 5 6 7 8 9 10

A
B
C
D
E
F



Specifications	
Working load limit	1.5 t
Std. lift	2.5 m
Min. headroom :C	350 mm
Chain pull to lift full load	343 N (35 kgf)
Hand chain Length from top hook :D	2.5 m
Load chain size	7.1 × 21 mm
Mass	14.5 kg

Note:

CB SERIES 1.5 t
MANUAL CHAIN HOIST

APPROVED	CHECKED	DESIGNED
SASAKI 2000.5.25	OKUYAMA 2000.5.25	ARUGA 2000.5.25

CODE	CB015	SCALE	
DWG.NO.	C3BA015-12100	DATE	

KITO CORP.

UNIT : mm